

Irsshad J. Quazi

Chartered Engineer,
Approved Valuer, FIV, Cat – I/F-2539
M. Tech Civil (Structural)

Office address

1 st Floor Hora Complex, Near Prabhat
Talkies, Jaistambh Chowk, Gondia
Mob.No. 98226 43439

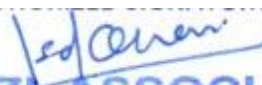
SUMMARY SHEET

NAME OF WORK:- PROPOSED CONSTRUCTION OF MACHINE SHED FOR "GEORA FARMERS PRODUCER COMPANY LTD.", SURVEY NO. 255/1, SITUATED AT MOUZA VIHIRGAON, TAH. SAOLI, DIST. CHANDRAPUR. (Built up area = 139.00 Sqmt.)

Sr. No.	<u>DESCRIPTION</u>	<u>PERCENTAGE</u>	<u>AMOUNT</u>
1	Estimate Cost (Machine shed)	As Per Estimate	1998920.75
3	Add For Electrification	As Per Calculations	144339.00
4	Add For Royalty/Rate Analysis Charge	As Per Calculations	68174.57
5	Add For Lab Testing Charges	As Per Calculations	24955.00
6	Total Cost	:-	2236389.32
	Add 18% for GST Charge		402550.08
	Total	Rs.	2638939.39
7	Add 0.5% For Insurance	:-	13194.70
	Total Amount	Rs.	2652134.09
	Say	Rs.	26,52,134/-

(Rs. Twenty Six Lac Fifty Two Thousand One Hundred & Thirty Four Only.)

Note - The Estimate Is Based on S.S.R. 2022-23


QUAZI ASSOCIATES
IRSSHAD J. QUAZI
M. TECH STRUCTURE (CIVIL) FIV, AIV
Govt. Approved Valuer Cat No. I/F-2539
LIC. No.-ADTP/GONDIA/ER/15

ABSTRACT SHEET

NAME OF WORK :- PROPOSED CONSTRUCTION OF MACHINE SHED FOR "GEORA FARMERS PRODUCER COMPANY LTD.", SURVEY NO. 255/1, SITUATED AT MOUZA VIHIRGAON, TAH. SAOLI, DIST. CHANDRAPUR.

(Built up area = 139.00 Sqmt.)

Sr.No.	PARTICULARS	UNIT	QTY	RATE	AMOUNT
1	Excavation for foundation earth, soils of all types, sand, gravel & soft murum, including removing the excavation material up to a distance of 50 m and necessary back filling, raming, watering, including shoring & strutting as necessary complete.SSR No. 21.01, Page No. 153	Cum	110.976	239.00	26523.26
2	Providing and laying in situ cement concrete in 1:4:8 of trap/granite/quartzite/gneiss metal for foundation andfor rendering uneven and honey combed surface only. Newly laid concrete shall be covered by gunny bag,plastic, trapaulin etc.SSR No. 24.01, Page No. 175	Cum	17.993	5538.00	99647.34
3	Providing and laying in situ/Ready Mix concrete M20 of trap/granite/quartzite/gneiss metal for R.C.C. work in foundations like raft, strip foundations, grillage and footings of R.C. C. columns and steel stanchion etc.including bailing out water, Steel centering formwork, laying/pumping cover blocks, compaction and curing roughening the surface if special finish is to be provided (Excluding reinforcement and structural steel) etc. complete, with fully automatic microprocessor based PLC with SCADA enabled reversible Drum Type mixer/concrete Batch mix plant (Pan mixer) etc. complete. With fine aggregate (Crushed sand VSI Grade) . SSR No. 25.11, Page No. 178	Cum	10.800	7104.00	76723.20

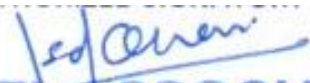
4	<p>Providing and laying Cast in situ/Ready Mix concrete M-20 of trap/granite/quartzite/gneiss metal for R.C.C. columns as per detailed designs and drawings or as directed including steel centering, formwork, cover blocks, laying/pumping, compaction finishing the formed surfaces with cement mortar 1:3 of sufficient minimum thickness to give a smooth and even surface or roughening if special finish is to be provided and curing etc. complete. (Excluding reinforcement and structural steel). with fully automatic microprocessor based PLC with SCADA enabled reversible Drum Type mixer/ concrete Batch mix plant (Pan mixer) etc. complete. With fine aggregate (Crushed sand VSI Grade). SSR No. 25.31, Page No. 179</p>	Cum	24.862	13783.00	342667.43
5	<p>Providing and laying Cast in situ/Ready Mix concrete M20 of trap/granite/quartzite/gneiss metal for R.C.C. beams and lintels as per detailed design and drawings or as directed including steel centering, formwork, cover blocks, laying/pumping, compaction and roughening the surface if special finish is to be provided and curing etc. complete. (Excluding reinforcement and structural steel). with fully automatic microprocessor based PLC with SCADA enabled reversible Drum Type mixer/ concrete Batch mix plant (Pan mixer) etc. complete. With fine aggregate (Crushed sand VSI Grade). ssr item no. 25.50, Page No. 181</p>	Cum	4.966	12269.00	60927.00
6	<p>Providing second class Burnt Brick masonry with conventional/I.S. type bricks in cement mortar 1:6 in foundations and plinth of inner walls/in plinth external walls including bailing out water manually, striking joints on unexposed faces, raking out joints on exposed faces and watering etc. Complete. Ssr Item No. 27.01, Page No. 197</p>	Cum	9.932	7755.00	77021.57

7	ProvidingsecondclassBurntBrickmasonry withconventional/I.S.typebricksincementmortar1:6insuperstructureincludingstrikingjoints,rakingoutjoints,wateringandscaffolding etc. Complete. Ssr Item No. 27.05, Page No. 197	Cum	47.589	7994.000	380428.86
8	ProvidingandlayingCastinsitu/ReadyMixcementconcreteinM20oftrap/granite/quartzite/gneissmetalforR.C.C.copingtoplinthorparapetandsillofdoorsandwindowsmouldedasperdetaileddrawingsorchamferedasapprovedbytheEngineerincludingsteelcentering,formwork,coverblocks,laying/pumping,compacting,curing,finishingandrougheningthem ifspecialfinishistobeprovidedandcuringcomplete.(Excludingreinforcementandstructuralsteel).withfullyautomaticmicroprocessorbasedPLCwithSCADAenabledreversibleDrumTypemixer/concreteBatchmixplant(Panmixer)etc.complete. With fine aggregate (Crushed sand VSI Grade), Ssr Item No.26.23, Page No. 185	Cum	1.104	7190.00	7934.45
9	Filling in plinth and floors with contractors approved material/sand or murum in 15 to 20 CM layer including watering and compaction complete.Ssr Item No 21.37, Page No. 157	Cum	83.384	599.00	49947.18
10	Providinginternalcementplaster12mmthick insinglecoatincementmortar1:5withoutneer ufinishtoconcreteorbricksurfaces,inallpositionsincluding scaffoldingandcuringetc.com plete.Ssr Item No. 32.03, Page No. 209	Sqm	198.630	271.00	53828.73
11	Providingsandfacedplasterexternallyincementmortarusingapprovedscreenedsand,inall positionsincludingbasecoatof15mmthickincementmortar1:4usingwaterproofingcompoundat1Kilogrampercementbagcuringthesamefornotless than2daysandkeepingthesurfaceofthebasecoatroughtoreceivethesandfacedtreatment6to8mmthickincementmortar1:4finishingthesurfacebytakingoutgrainsand curingforfourteendaysscaffoldingetc.com pl ete. Ssr Item No. 32.11, Page No. 209	Sqm	206.910	639.00	132215.49

12	Providing and fixing in position TMT-FE500 bars in reinforcement of various diameters for R.C.C. pile caps, footings, foundations, slabs, beams, columns, canopies, staircase, newels, chajjas, lintels, parapets, copings, fins, arches etc. as per detailed designs, drawings and schedules. including cutting, bending, hooking the bars, binding with wires or tack welding and supporting as required complete. Ssr Item No. 26.33, Page No. 188	Mt.	2.844	89703.00	255108.79
13	Providing and laying cement concrete flooring 50mm thick with M20 cement concrete laid to proper level and slope in alternate bays including compaction, filling joints, marking lines to give the appearance of tiles of 30cm x 30cm or other size laid diagonally/square etc. finishing smooth (with extracement) in any colour as directed and curing etc. complete. With Crushed Sand. Ssr Item No.33.16 , Page No. 214	Sqm	138.974	483.00	67124.35
14	Providing and applying two coats of water proof cement paint of approved manufacture and of approved colour to the plastered surfaces including scaffolding if necessary, cleaning and preparing the surface, watering for two days etc. complete. Ssr Item No. 35.13, Page No. 224	Sqm	405.540	79.00	32037.66
15	Providing and fixing rollings shutter fabricated from steel laths of minimum thickness 0.9mm with lock plate of 3.15mm thickness reinforced with 35x35x5mm angle section fitted with sliding bolts and handles for both sides, deep M.S. channel section of depth and thickness not less than 65mm and 3.15mm respectively with hold fast arrangements, M.S. Bracket plate 300x300x3.15mm minimum size and shape with square bar, suspension shaft of minimum 32mm diameter, hood cover of M.S. sheet not less than 0.9mm	Sqm	9.000	4829.00	43461.00

	thickness and of any size at top and safety devices including mechanical gear operation arrangement consisting of worm gear wheels and worms of high grade cast iron or mild steel and one coat of red lead primer etc. complete. (I.S. 62481979) (Without mechanical gear. Ssr Item No.39.24 Page. No. 248				
16	Providing structural steel work in trusses, purlins and members with all bracing, gusset plates etc. as per detail drawing or as directed including cutting, fabricating, hoisting, erecting,, fixing in position, making riveted/bolted/ welded connection and one coat of anticorrosive paint and over it two coat of oil painting of approved quality and shade complete. Ssr item no. 23.04 Page No. 173	M.T.	1.050	119459.00	125431.95
17	Providing and fixing 22B.W.G.plain galvanized iron sheets on top of weather shed, including scaffolding, fixing by means of nut and bolts or as directed etc. complete. (Bracket of 70 x 45 mm to be paid separately) SSR Item No.39.88, Page No. 263	RMT	138.974	1052.00	146200.44
18	Providing and fixing valley gutter of 22B.W.G.(0.8mm) plain galvanized iron sheets 90cm wide with teak wood planking 20mm thick including two coats of coal tarring the upper surface of plank etc. complete. (excluding painting to underside of plank). SSR Item No. 38.09 Page No. 233	Rmt.	9.780	2218.00	21692.04
			Total	Rs.	1998920.75
	<u>LAB TESTING</u>				
1	Mix Design M-20 Concrete	Nos.	1	13755.00	13755
	<u>CEMENT</u>				
2	Standard Consistency, Fineness, Specific Gravity, Setting Time (Initial & Final), Compressive Strength, Soundness.	Nos.	1	3770.00	3770
	<u>AGGREGATE</u>				
3	Water Absorption, Specific Gravity, Impact Value, Crushing Value	Nos.	1	2600.00	2600
	<u>BRICKS</u>				

4	Water Absorption (Set of 5 Bricks), Compressive Strength(Set of 5 Bricks), Efflorescence (Set of 5 Bricks).	Nos.	1	2175.00	2175
	CONCRETE				
5	Compressive Strength M-30, M-20.(Set of 3 Cubes)	Nos.	1	690.00	690
	MORTOR				
6	Compressive Strength.(Set of 3 Cubes)	Nos.	1	690.00	690
7	STEEL BAR TESTING Upto 12 mm, 16 mm, 20 mm (Set of 3 Bars)	Nos.	1	1275.00	1275
				Total	24955.0


QUAZI ASSOCIATES
IRSHAD J. QUAZI
M. TECH STRUCTURE (CIVIL) FIV, AIV
Govt. Approved Valuer Cat No. I/F-2539
LIC. No.-ADTP/GONDIA/ER/15

**NAME OF WORK :- Proposed Machine Shed construction belongs to "GEORA FARMERS PRODUCER COMPANY LTD.",
SURVEY NO. 255/1, SITUATED AT MOUZA VIHIRGAON, TAH. SAOLI, DIST. CHANDRAPUR.**

Royaltee Charges

Sr. No.	Item of work	SSR It. No.	Qty	Transportation Charges				Amount of Royaltee @ 237.37/m3	Amount of Royaltee @ 216.18/m3	Rate Addopted	Unit
				Sand/Murum Consumption	Qty	Metal/Bricks Consumption	Qty				
1	Providing and laying in situ cement concrete in 1:4:8 of trap/granite/quartzite/gneiss metal for etc.										
	Sand	24.01	18.505	0.47	8.70			2064.49		2064.49	Cum.
	40 mm metal	24.01	18.505			0.7	12.95		2800.29	2800.29	Cum.
2	Providing and laying in situ /Ready Mix cement concrete M20 of trap/granite/quartzite/gneiss metal for R.C.C. work in foundations										
	Sand	25.11	12.15	0.47	5.71			1355.50		1355.50	Cum.
3	Providing and laying Cast in situ/Ready Mix cement concrete M20 of trap/granite/quartzite/gneiss metal for R.C.C. columns										
	Sand	25.31	27.969	0.47	13.15			3120.33		3120.33	
4	Providing and laying Cast in situ/Ready Mix cement concrete M20 of trap/granite/quartzite/gneiss metal for R.C.C. beams										
	Sand	25.5	47.5893	0.47	22.37			5309.25		5309.25	
5	Providing second class Burnt Brick masonry with conventional /I.S. type bricks in cement mortar 1:6										
	Sand	27.01	9.93186	0.25	2.48			589.38		589.38	
6	Providing and laying Cast in situ/Ready Mix cement concrete in M20 of trap/granite/quartzite/gneiss metal for R.C.C. copin										
	Sand	26.23	1.10354	0.47	0.52			123.12		123.12	
7	Filling in plinth and floors with contractors approved material/sand or murum										
	Murum	2.29 B	83.38428	1	83.38			18026.85		18026.85	
8	Providing internal cement plaster 12mm thick in single coat in cement mortar 1:5										
	Sand	32.03	198.63	0.015	2.98			707.23		707.23	sqm
9	Providing and laying cement concrete flooring 50mm thick										
	Sand	33.16	138.9738	0.025	3.47			824.71		824.71	sqm
10	Providing and laying in situ cement concrete in 1:4:8 of trap/										
	Sand	24.01	18.505	0.47	8.70			2064.49		2064.49	cum
11	Providing and laying in situ /Ready Mix cement concrete M20 of trap										
	Sand	25.11	12.15	0.47	5.71			1355.50		1355.50	cum
12	Supplying hard murum/kanar at the road site										
	Murum	2.29	59.6	1	59.60			12884.92		12884.92	cum
13	Providing, laying, spreading and compacting stone aggregate of specific size										
	40 mm metal	3.18	112			0.7	78.4		16948.51	0.00	cum
								48425.77	19748.80		
									Total Rs.	68174.57	Cum.


QUAZI ASSOCIATES
 IRSSHAD J. QUAZI
 M. TECH STRUCTURE (CIVIL) FIV/AIV
 Govt. Approved Valuer Cat No./F-2539
 L.I.C. No.-ADTP/GONDIA/ER/15

<u>NAME OF WORK</u> :- PROPOSED CONSTRUCTION OF MACHINE SHED FOR "GEORA FARMERS PRODUCER COMPANY LTD.", SURVEY NO. 255/1, SITUATED AT MOUZA VIHIRGAON, TAH. SAOLI, DIST. CHANDRAPUR. (Built up area = 139.00 Sqmt.)								
Sr. No	PARTICULARS	Nos	L(M)	B(M)	H/D(M)	QTY(Cum)	RATE	AMOUNT
1	Excavation for foundation earth, soils of all types, sand, gravel & soft murum, including removing the excavation material up to a distance of 50 m and necessary back filling, raming, watering, including shoring & strutting as necessary complete.SSR No. 21.01, Page No. 153							
	C.1	16	1.70	1.70	2.40	110.976		
						110.976	239	26523.3
						Cum		
2	Providing and laying in situ cement concrete in 1:4:8 of trap/granite/quartzite/gneiss metal for foundation andfor rendering uneven and honey combed surface only. Newly laid concrete shall be covered by gunny bag,plastic, trapaulin etc.SSR No. 24.01, Page No. 175							
	C.1	16	1.60	1.60	0.10	4.096		
	Floor bed	1	14.21	9.78	0.10	13.897		
						17.993	5538	99647.33844
						Cum		
3	Providing and laying in situ/Ready Mix cement concrete M20 of trap/granite/quartzite/gneiss metal for R.C.C. work in foundations like raft, strip foundations, grillage and footing of R.C.C. columns and steel stanchion setc. including bailing out water, Steel centering formwork, laying/pumping cover blocks, compaction and curing roughening the surface if special finish is to be provided (Excluding reinforcement and structural steel) etc. complete, with fully automatic microprocessor based PLC with SCADA enabled reversible Drum Type mixer/concrete Batch mix plant (Pan mixer) etc. complete. With fine aggregate (Crushed sand VSI Grade) . SSR No. 25.11, Page No. 178							
		16	1.50	1.50	0.30	10.800		
						10.800	7104	76723.2
4	Providing and laying Cast in situ/Ready Mix cement concrete M-20 of trap/granite/quartzite/gneiss metal for R.C.C. columns as per detailed designs and drawing or as directed including steel centering, formwork, cover blocks, laying/pumping, compaction finishing the formed surfaces with cement mortar 1:3 of sufficient minimum thickness to give smooth and even surface or roughening if special finish is to be provided and curing etc. complete, (Excluding reinforcement and structural steel), with fully automatic microprocessor based PLC with SCADA enabled reversible Drum Type mixer/ concrete Batch mix plant (Pan mixer) etc. complete. With fine aggregate (Crushed sand VSI Grade).SSR No. 25.31, Page No. 179							
	a) below G.L.	C.1	16	0.30	0.45	1.00	2.160	
	a) above G.L	C.1	16	0.30	0.45	10.51	22.702	

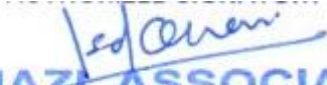
Sr. No	PARTICULARS	Nos	L(M)	B(M)	H/D(M)	QTY(Cum)	RATE	AMOUNT
						24.862	13783	342667.43
						Cum		
5	Providing and laying Cast in situ/Ready Mix cement concrete M20 of trap/granite/quartzite/gneiss metal for R.C.C. beams and lintels as per detailed design and sand drawings or as directed including steel centering, formwork, cover blocks, laying/pumping, compaction and roughening of the surface if special finish is to be provided and curing etc. complete. (Excluding reinforcement and structural steel). with fully automatic microprocessor based PLC with SCADA enabled reversible Drum Type mixer/concrete Batch mix plant (Pan mixer) etc. complete. With fine aggregate (Crushed sand VSI Grade). ssr item no. 25.50, Page No. 181							
	A) at ground level	2	14.21	0.23	0.45	2.941		
		2	9.78	0.23	0.45	2.024		
						4.966	12269	60927.00
						Cum		
6	Providing second class Burnt Brick masonry with conventional/I.S. type bricks in cement mortar 1:6 in foundations and plinth of inner walls/in plinth of external walls including bailing out water manually, striking joints on unexposed faces, raking out joints on exposed faces and watering etc. Complete. Ssr Item No. 27.01, Page No. 197							
		2	14.21	0.23	0.90	5.883		
		2	9.78	0.23	0.90	4.049		
						9.932	7755	77021.5743
						Cum		
7	Providing second class Burnt Brick masonry with conventional/I.S. type bricks in cement mortar 1:6 in superstructure including striking joints, raking out joints, watering and scaffolding etc. Complete. Ssr Item No. 27.05, Page No. 197							
		2	14.21	0.23	4.50	29.415		
		2	9.78	0.23	4.50	20.245		
						49.659		
	Deduction							
	shutter	1	3.00	0.23	3.00	2.070		
						2.070		
			49.7	2.07		47.589	7994	380428.86
						Cum		

Sr. No	PARTICULARS	Nos	L(M)	B(M)	H/D(M)	QTY(Cum)	RATE	AMOUNT
8	Providing and laying Cast in situ/Ready Mix cement concrete in M20 of trap/granite/quartzite/gneiss metal for R.C.C. coping to plinth or parapet and sill of doors and windows moulded as per detailed drawings or chamfered as approved by the Engineer including steel centering, formwork, cover blocks, laying/pumping, compacting, curing, finishing and roughening them if special finish is to be provided and curing complete. (Excluding reinforcement and structural steel). with fully automatic microprocessor based PLC with SCADA enabled reversible Drum Type mixer/concrete Batch mix plant (Pan mixer) etc. complete. With fine aggregate (Crushed sand VSI Grade), Ssr Item No.26.23, Page No. 185							
	1 To plinth							
		2	14.21	0.23	0.100	0.654		
		2	9.78	0.23	0.100	0.450		
						1.104	7190	7934.4526
						Cum		
9	Filling in plinth and floors with contractors approved material/sand or murum in 15 to 20 CM layer including watering and compaction complete. Ssr Item No 21.37, Page No. 157							
	Floor bed							
		1	14.21	9.78	0.60	83.384		
						83.384	599.00	49947.18
						Cum		
10	Providing internal cement plaster 12mm thick in single coat in cement mortar 1:5 without neer finish to concrete or brick surfaces, in all positions including scaffolding and curing etc. complete. Ssr Item No. 32.03, Page No. 209							
		2	13.75		4.50	123.750		
		2	9.32		4.50	83.880		
						207.630		
	Deduction							
	shutter	1	3.00		3.00	9.000		
						9.000		
			207.6	9		198.63	271	53828.73
						Sqm		

Sr. No	PARTICULARS	Nos	L(M)	B(M)	H/D(M)	QTY(Cum)	RATE	AMOUNT
11	Providing sand faced plaster externally in cement mortar using approved screened sand, in all positions including base coat of 15mm thick in cement mortar 1:4 using waterproofing compound at 1 Kilogram per cement bag curing the same for not less than 2 days and keeping the surface of the base coat rough to receive the sand faced treatment 6 to 8mm thick in cement mortar 1:4 finishing the surface by taking out grains and curing for fourteen days scaffolding etc. complete. Ssr Item No. 32.11, Page No. 209							
		2	14.21		4.50	127.89		
		2	9.78		4.50	88.02		
						215.91		
	Deduction							
	shutter	1	3.00		3.00	9.000		
						9.000		
			216	9.00		206.91	639	132215.49
						Sqm		
12	Providing and fixing in position TMT-FE500 bar reinforcement of various diameters for R.C.C. pile caps, footings, foundations, slabs, beams columns, canopies, staircase, newels, chajjas, lintels, copings, fins, arches etc. as per detailed designs, drawings and schedules including cutting, bending, hooking the bars, binding with wires or tack welding and supporting as required complete. Ssr Item No. 26.33, Page No. 188							
	Footing		10.80	70.0		756.000		
	Column		24.86	70.0		1740.31		
	Beam		4.97	70.0		347.615		
						2843.9		
						2.844	89703	255108.79
						Mt		
13	Providing and laying cement concrete flooring 50mm thick with M20 cement concrete laid to proper level and slope in alternate bays including compaction, filling joints, marking lines to give the appearance of tiles of 30cm x 30cm or other size laid diagonally/square etc. finishing smooth (with extra cement) in any colour as directed and curing etc. complete. With Crushed Sand. Ssr Item No.33.16 , Page No. 214							
		1	14.21	9.78		138.974	483.00	67124.35
						Sqm.		

Sr. No	PARTICULARS	Nos	L(M)	B(M)	H/D(M)	QTY(Cum)	RATE	AMOUNT
14	Providing and applying two coats of water proof cement paint of approved manufacture and of approved colour to the plastered surfaces including scaffolding if necessary, cleaning and preparing the surface, watering for two days etc. complete. Ssr Item No. 35.13, Page No. 224							
						405.54	79.00	32037.66
						Sqm.		
15	Providing and fixing rollings shutter fabricated from steel lath of minimum thickness 0.9mm with lock plate of 3.15mm thick kness reinforced with 35x35x5mm angle section fitted with liding bolts and handles for both sides, deep M.S. channel section of depth and thickness not less than 65mm and 3.15mm respectively with hold fast arrangements, M.S. Bracket plate 300x300x3.15mm minimum size and shape with square bar, suspension shaft of minimum 32mm diameter, hood cover of M.S. sheet not less than 0.9mm thickness and of any size at top and safety devices including mechanical gear operation arrangement consisting of worm gear wheels and worms of high grade cast iron or mild steel and one coat of red lead primer etc. complete. (I.S. 62481979) (Without mechanical gear. Ssr Item No.39.24 Page. No. 248							
		1	3.00		3.00	9.000	4829.0	43461.00
						Sqm		
16	Providing structural steel work in trusses, purlins and members with all bracing, gusset plates etc. as per detail drawing or as directed including cutting, fabricating, hoisting, erecting,, fixing in position, making riveted/bolted/ welded connection and one coat of anticorrosive paint and over it two coat of oil painting of approved quality and shade complete. Ssr item no. 23.04 Page No. 173							
	Truss	2	@	250		500		
	Purlins	5	@	110		550		
						1050.0		
						1.050	119459	125431.95
						M.T.		
17	Providing and fixing 22B.W.G. plain galvanized iron sheets on top of weather shed, including scaffolding, fixing by means of nut and bolts or as directed etc. complete. (Brackets of 70 x 45 mm to be paid separately) SSR Item No.39.88, Page No. 263							
		1	14.21	9.78		138.974		
						138.97	1052.0	146200.44
						Sqm		

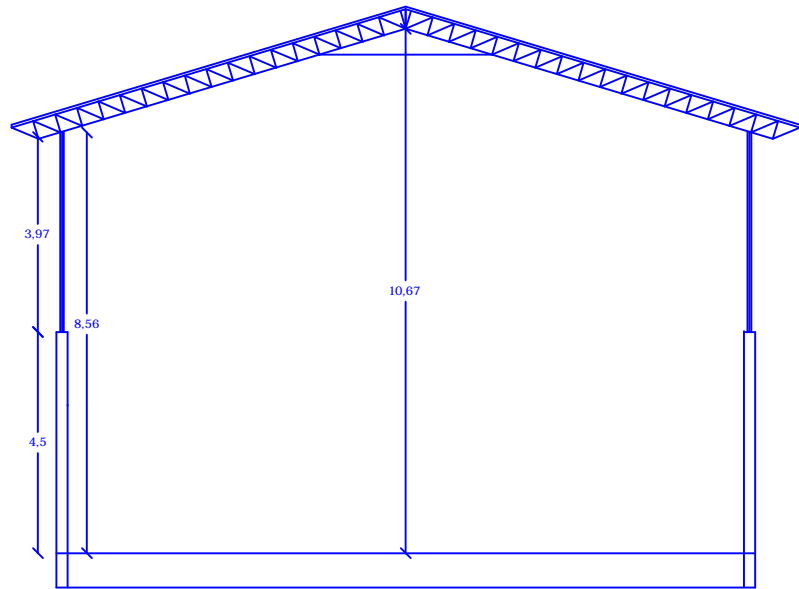
Sr. No	PARTICULARS	Nos	L(M)	B(M)	H/D(M)	QTY(Cum)	RATE	AMOUNT
18	Providing and fixing valley gutter of 22 B.W.G. (0.8mm) plain galvanized iron sheets 90cm wide with teak wood planking 20mm thick including two coats of coal tar on the upper surface of plank etc. complete. (excluding painting to underside of plank). SSR Item No. 38.09 Page No. 233							
		1	9.78			9.780	2218.0	21692.04
							Rmt.	
						Total	Rs.	1998920.8


QUAZI ASSOCIATES
IRSHAD J. QUAZI
M. TECH STRUCTURE (CIVIL) FIV, AIV
Govt. Approved Valuer Cat No. I/F-2539
L.I.C. No.-ADTP/GONDIA/ER/15

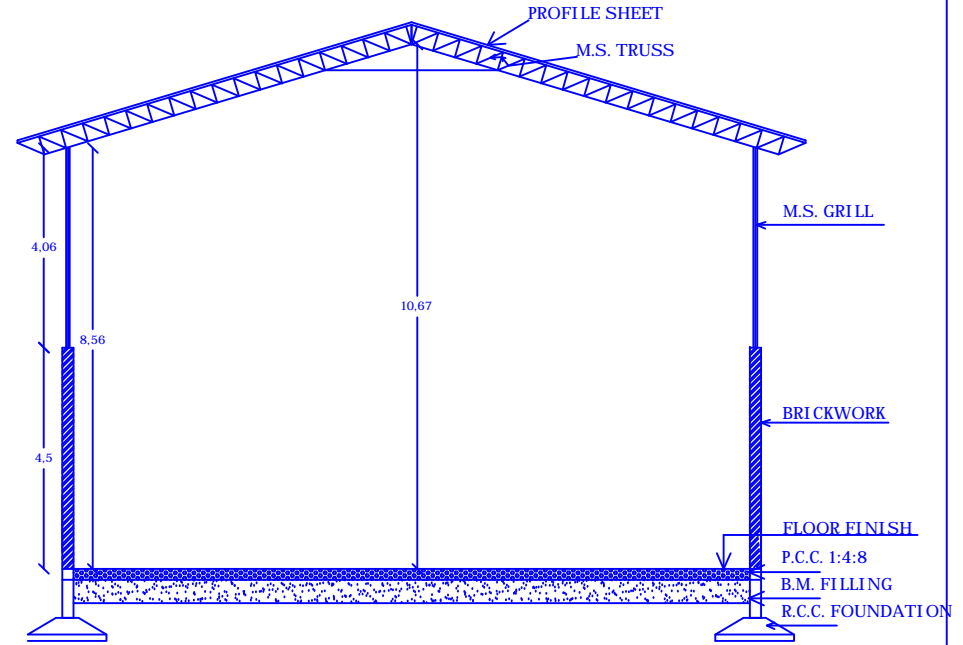
Electrification

NAME OF WORK :- Electrification Sheet of Proposed Machine Shed construction belongs to "GEORA FARMERS PRODUCER COMPANY LTD.", SURVEY NO. 255/1, SITUATED AT MOUZA VIHIRGAON, TAH. SAOLI, DIST. CHANDRAPUR.

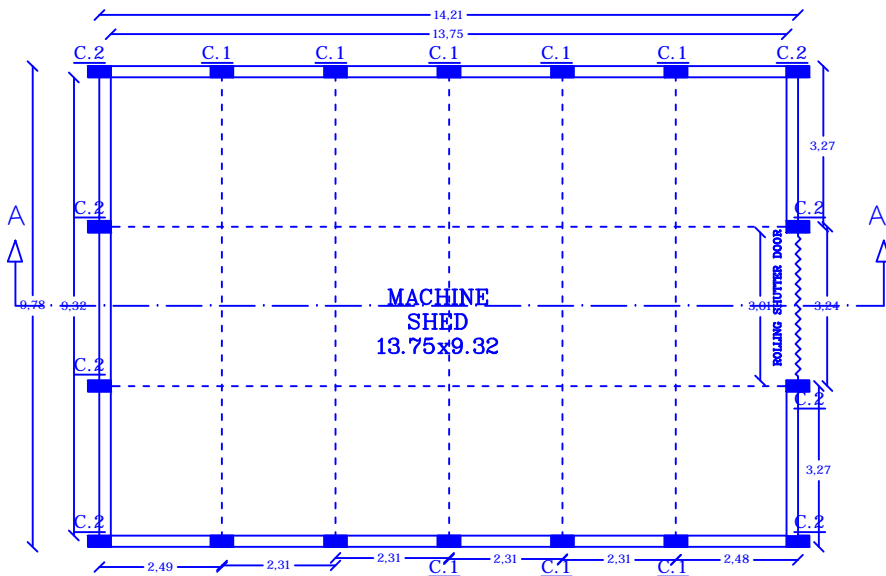
1	Single core PVC insulated copper wire 1.5 sq mm	Mt.	24	2632	63168
2	Bulb 60W Pin type	No.	22	28	616
3	CFL 23w holder type	No.	20	230	4600
4	Switch MCCB 100A	No.	12	1045	12540
5	MCB 20Amp	No.	15	635	9525
6	Tube Rod 36W	No.	25	370	9250
7	6 M Modular PVC Box	No.	25	75	1875
8	Switch 15A	No.	45	50	2250
9	Socket 15A	No.	30	36	1080
10	Choke 18 watt for 4 pin CFL	No.	15	360	5400
11	Connector strip 10A (12point)	No.	85	25	2125
12	Plug Top 25A,3 pin	No.	35	60	2100
13	PVC Tape roll	No.	25	270	6750
14	Batten nail	No.	40	35	1400
15	Tube Starter 20-65W	No.	30	32	960
16	Terminal power strip, 15 Amps, 3 Socket 3 Switch	No.	20	1035	20700
Total					144339



ELEVATION



SECTION A-A



MACHINE SHED PLAN

SCALE 1:100

AREA STATEMENT

TOTAL BUILT UP AREA = 139.00 SQMT. (1496.19 SQFT.)

PROPOSED CONSTRUCTION OF MACHINE SHED FOR "GEORA FARMERS PRODUCER COMPANY LTD." SITUATED AT MOUZA VIHIRGAON, SURVEY NO. 255/1, VIHIRGAON, TAH. SAOLI, DIST. CHANDRAPUR.

SANCTION AUTHORITY

ENGINEER SIGN.

OWNER'S SIGN.